



DUGGAN PROFILES & STEEL SERVICE CENTRE Ltd
Tel: 056 772 2485 Fax: 056 776 3411
www.steel.ie

Order No. _____

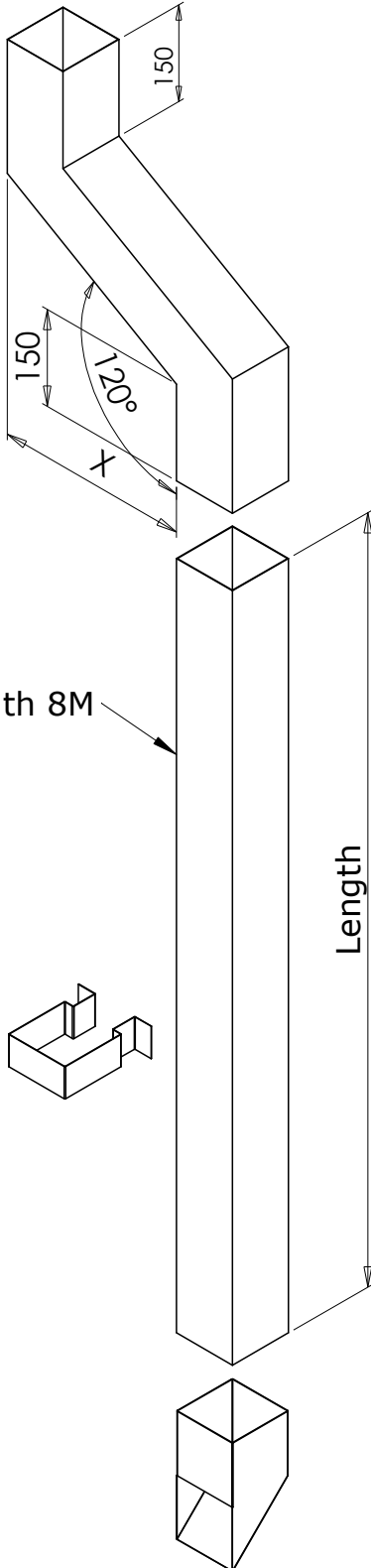
Reference _____ Page _____ of _____

Customer contact _____ Date reqd. _____

Pick No. _____
(Office use)

Site contact _____ Deliver to _____

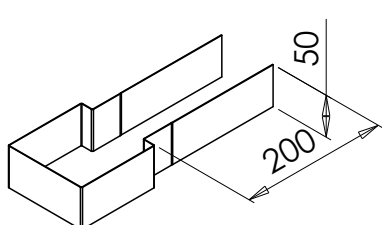
Material/Colour _____



Size (mm) Tick (✓) required option
100 150 Other
(Please specify) _____

Swan Neck		Line No. (Office use)
Qty	Dimension "X"	

Downpipes		
Qty	Length	

Brackets		
Qty		
		
Brackets are supplied as shown Bend legs to suit on site		

Toes		
Qty		