



EU PROFILES LTD.
Steel Sheet Profiles



The Complete
Grant Accepted
Roofing Products Range
for
The Agricultural Sector



EU PROFILES LTD.
Dublin Road,
Kilkenny, Ireland.
Tel.: +353 56 22485
Fax: +353 56 63411



in conjunction with



offer a

15 year Guarantee
on the following products in their
Agricultural Range:



in conjunction with



GE Plastics

offer a

15 year Guarantee
on





EU PROFILES

Contents 1

GRANT ACCEPTED RANGE

10 / 3 or 14 / 3 Corrifarm [®]	2 - 3
1000 / 32 & 800 / 32 Profarm [®]	4 - 5
1000 / 32 Proair [™] system	6 - 7
Agrilight [™]	8 - 9
Complete Profarm [®] Building	10 - 11
Agripurlin [™]	12 - 13
Agripurlin [™] Load Tables	14

NON GRANT ACCEPTED RANGE

10 / 3 profile Corrigalv [®]	15
Procolor [®]	16
Reverse coat	17
8 / 3 Corrugated	18
Trims & Flashings	19

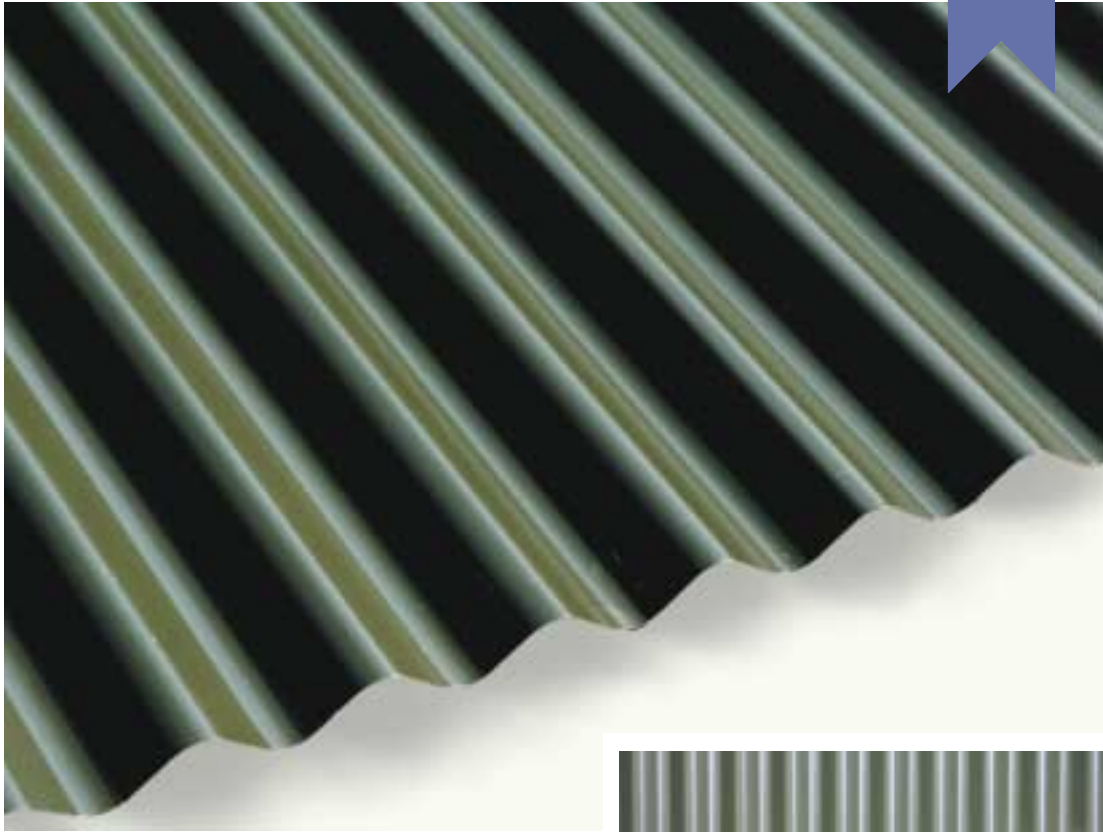
CERTIFICATION

Guarantee	20
-----------	----

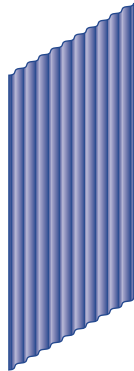
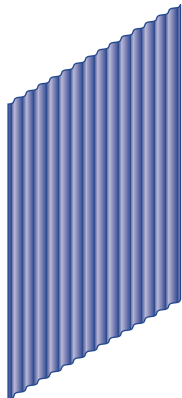
Figures and comments given in this brochure are given for guidance purposes only. While care has been taken to ensure accuracy EU Profiles Ltd. and its related companies do not accept liability for errors/or omissions. Customers should satisfy themselves of the suitability of the products supplied or manufactured by EU Profiles Ltd. for the use intended.

Edition 2.0 24/09/97





**GRANT
ACCEPTED**



Quality:

Corrifarm® is a premium quality product manufactured to **BS EN 10142: 1991**. It consists of an **Fe P02 G** commercial quality steel substrate galvanised to 275 grammes per square metre. The outer surface is then treated, primed and coated with 25 microns of Slate Grey or Juniper Green high grade polyester.

Internal Environment:

The inner surface is treated, primed and coated with 35 microns of high grade polyester, specifically developed to cope with the aggressive environment experienced in livestock housing. Corrifarm® has a bright undercoat which gives a light, airy atmosphere particularly effective in conjunction with Agrilight™.

Stock:

Corrifarm® is available in 0.55mm and in 0.70mm in stock lengths 6', 7', 8', 9', 10', 11', 12' or cut to length.

Distribution:

Corrifarm® is available countrywide through our long established customer base of approved merchants, stockholders, manufacturers and erectors. Should you have any trouble locating your nearest supplier please contact our office.

Grant Acceptance:

Corrifarm® has been tested and accepted by Forbairt for grant-aided farm buildings.

Corrifarm® is accepted by the Department of Agriculture, Food & Forestry for use in high humidity Livestock Housing. Corrifarm® conforms to the Department's "Performance Specifications for Pre-painted sheeting for animal housing". Please consult your Farm Development Service office for specific instructions relating to appropriate use.

Manufacture:

Corrifarm® is manufactured by EU Profiles Ltd., a Duggan Steel Group company which is committed to total quality products. With management experience in serving the farming and business communities extending over forty years, EU Profiles is confident of its ability to serve your requirements no matter how specific they may be.

Accessories:

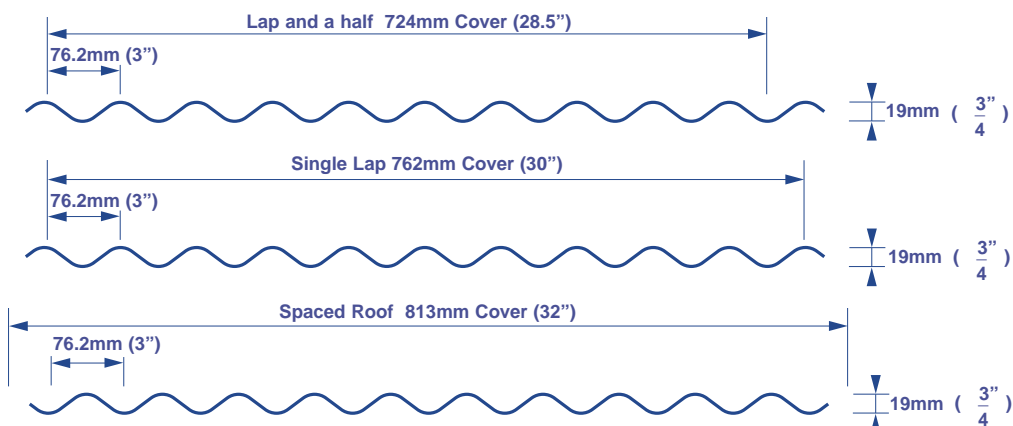
EU Profiles provides a full range of complementary services and products for its sheeting range including cocktailing and curving facilities, gutters, trims, flashings, fittings and roof lights.

Guaranteed Irish:

Corrifarm® is guaranteed Irish product.

Guaranteed Long Life:

Corrifarm® is guaranteed for 15 years.





Left:

View of a crimped Profarm[®] sheet profile on the exterior of a farm building at Gowran Park racecourse, Co. Kilkenny.

Top:

Profarm[®] exists in harmony with the environment at Gowran Park racecourse.



**GRANT
ACCEPTED**

1000 / 32 Profile 800 / 32 Profile



Quality:

Profarm® is a premium quality product manufactured to **BS EN 10142: 1991, FeP 02G** commercial quality. It consists of a steel substrate galvanised to 275 grammes per square metre. The outer surface is treated, primed and coated with 25 microns of Slate Grey or Juniper Green high grade polyester.

Internal Environment:

The inner surface is treated, primed and coated with 35 microns of high grade polyester, specifically developed to cope with the aggressive environment experienced in livestock housing. Profarm® has a bright coloured undercoat which gives a light, airy atmosphere particularly important for good working conditions, particularly effective in conjunction with Agrilight™.

Grant Acceptance:

Profarm® has been tested and accepted by Forbairt for grant-aided farm buildings.

Profarm® is accepted by the Department of Agriculture, Food and Forestry for use in high humidity Livestock Housing. Profarm® conforms to the Department's "Performance Specifications for Pre-painted sheeting for animal housing". Please consult your Farm Development Service office for specific instructions relating to appropriate use.

Stock:

Profarm® is available in 0.55mm in 1000mm cover width and in 0.55mm and 0.70mm in 800mm cover width.

Profile:

Profarm® is manufactured in a 32mm profile in a 1000mm cover width for enclosed roofs or in 800mm cover width for spaced roofs. Profarm® is roll-formed with mini-ribs, unless otherwise requested.

Manufacture:

Profarm® is manufactured by EU Profiles Ltd., a Duggan Steel Group company committed to total quality products. With management experience in serving the farming and business communities extending over forty years, EU profiles is confident of its ability to serve your requirements no matter how specific they may be.

Distribution:

Profarm® is available countrywide through our long established customer base of approved merchants, stockholders, manufacturers and erectors. Should you have any trouble locating your nearest supplier please contact our offices or one of the Duggan Steel depots.

Accessories:

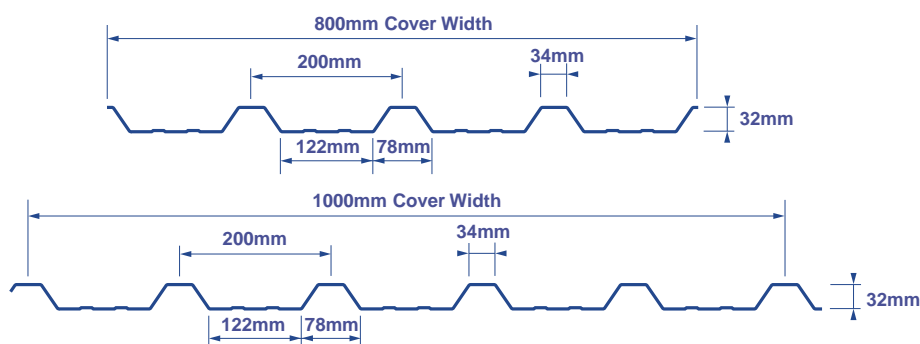
EU Profiles provides a full range of complementary services and products for the sheeting range including cocktailing and curving facilities, gutters, trims, flashings, fittings and roof lights.

Guaranteed Irish:

Profarm® is guaranteed Irish product.

Guaranteed Long Life:

Profarm® is guaranteed for 15 years.



PROAIR™ SYSTEM



Top left:
External view of Equestrian Centre.



Top right:
Internal view of animal house showing use of Proair®.

Bottom:
Internal view of Equestrian Centre showing Proair® and Profarm® sheet.



**GRANT
ACCEPTED**

PROAIR™ SYSTEM

The Proair® System is produced from the following three components:

- 1) Spaced Roof Sheet,
- 2) Ventilated Side Sheet,
- 3) Cranked Ridges.

1) Spaced Roof Sheet:

800 / 32 Proair® spaced Roof Sheet is designed to give maximum rigidity to the unsupported section of the material which is subject to damage in other methods of spacing. It is also the most aesthetically appealing of any of the spaced roof sheets available in Ireland.

2) Ventilated Side Sheet:

Proair® is provided in 32 mm box profile in 800mm spaced side sheet or 1000mm lapped side sheet. For maximum ventilation we recommend 800 / 32 which yields up to 30% airflow as shown in wind tunnel tests performed in Ireland by the Dublin Institute of Technology, Bolton street. At 30% airflow Proair® provides 3 to 4 times more ventilation than other sheets on the market today.

When specifying ventilated side sheeting ask for Proair® sheets:

Maximum ventilation at no extra cost!

3) Cranked Ridge:

1000 / 32 Profarm® is used to produce the cranked raised ridge. No spacing is applied to the cranked ridge.

Stock:

Proair® is available in 0.55mm in 1000mm cover width and in 0.55mm and 0.70mm in 800mm cover width.

Manufacture:

Proair® is manufactured to your specific length requirements.

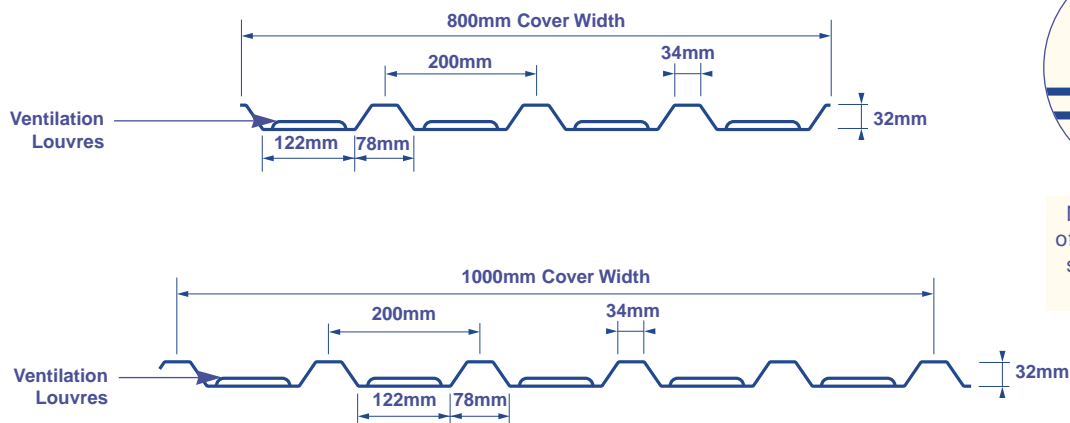
Proair® is available from EU Profiles Ltd., a Duggan Steel Group company, to complement our Profarm® product to provide the Agri Sector with more choice in ventilation of animal houses.

Guaranteed Irish:

Proair® is guaranteed Irish product.

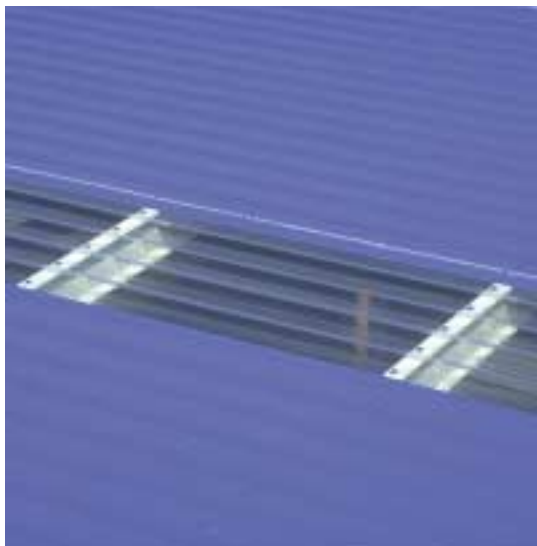
Guaranteed Long Life:

Proair® is guaranteed for 15 years.



Maximum Rigidity of the un-supported section of spaced roof sheeting





Agrilight™ is also available in Box Profile.

**GRANT
ACCEPTED**



Agrilight™ Corrugated sheet

Agrilight™ is a transparent corrugated glazing sheet extruded from GE Plastics Lexan® Polycarbonate.

Agrilight has been designed to match perfectly with Corrifarm®. This product is also available in Box Profile.



This quality product, often used in roof and wall glazing applications such as public swimming pools and sports stadia is now made available to Ireland's farmers by EU Profiles Ltd., a Duggan Steel Group company.

Agrilight™ offers high impact strength across a wide temperature range, excellent optical properties, light weight and good long-term weather resistance.

UV Resistance:

Agrilight™ features a proprietary one-side surface protection against the degrading effects of ultra-violet radiation in natural sunlight. The UV-protected surface is marked with a continuous ribbon with the text: "Install this side (UV-protected side) outwards".

Guarantee:

EU Profiles Ltd. in conjunction with GE Plastics offers up to a 15 Year Limited Guarantee on Agrilight™ against functional failure due to corrosion. This guarantee is conditional on the Agrilight™ being drilled prior to fixing and being fixed according to the manufacturers instructions.

It is particularly important that the Agrilight™ does not come into contact with mastic or with sealants other than those recommended by GE Plastics.

Availability:

Maximum length: 6.0m
Minimum length: 1.0m
Thickness: 0.8mm.

Tolerances:

Sheet length: +15mm.
Other dimensions: ± 10%.
Thickness: ± 10%

Fixing:

Agrilight™ will be firmly fixed when fastened at every fourth corrugation (third corrugation in high wind areas) and every second corrugation at gutters and ridding.

When joining Agrilight side by side, an overlap of at least one corrugation is appropriate. When length to length, overlaps should be 150mm.

Loading Capacity:

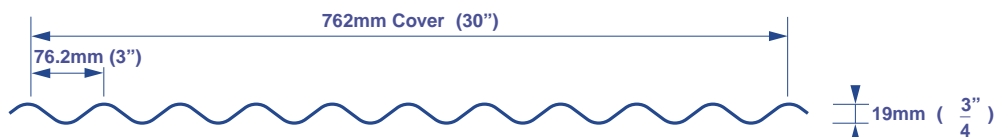
The table gives maximum external loadings before buckling of Agrilight™.

Recommended Span (mm)	Maximum allowable loading (N/m ²):		
	Single span/ end span	Centre span	Curved App. Radius 4m
1000	1000	1600	1350
1200	500	1000	850

At lower loadings also the deflection behaviour of the sheet will vary with the fixing or clamping conditions; consult EU Profiles Ltd. for information on specific situations.

Site Safety:

Despite the high strength of Lexan polycarbonates, sensible precautions should be taken when working with Agrilight™. In particular, crawling boards should be used during installation. As with all clearlights it is important not to walk directly on the sheets.





Strength:

Agripurlin™ is a steel roof purlin specifically designed for the agricultural sector. Its unique design makes it over twice as strong as the equivalent timber size. This has been proven in tests carried out in Ireland at the Dublin Institute of Technology, Bolton Street.

Lightness:

Agripurlin™ takes full advantage of steel's high strength to weight ratio. This allows the Agripurlin™ to be half as heavy as the equivalent timber size making on-site erection much simpler and less time consuming. Agripurlin™ is pre-punched saving further on-site time and thereby cutting costs. Agripurlin™ also contains weep holes to prevent condensation accumulating water in the flanges.

Quality:

Agripurlin™ is a premium quality product manufactured to **BS EN 10142: 1991**, grade **FeP 02G** commercial quality. It consists of a steel substrate galvanised to 275 grammes per square metre. Both surfaces are treated, then primed and coated with 35 microns of high grade polyester for maximum life.

Internal Environment:

Agripurlin™ has a bright coloured finish which gives a light, airy atmosphere particularly important for good working conditions

Manufacture:

Agripurlin™ is manufactured by EU Profiles Ltd., a Duggan Steel Group company committed to total quality products, with management experience in serving the farming and business communities extending over forty years.

Size:

Agripurlin™ is available in size:

- 125 x 75mm (5" x 3") in 1.2mm & 1.5mm thickness
- 150 x 75mm (6" x 3") in 1.2mm & 1.5mm thickness
- 175 x 75mm (7" x 3") in 1.2mm & 1.5mm thickness
- 200 x 75mm (8" x 3") in 1.5mm thickness

To replace timber in 4.8m span buildings use Agripurlin™ in the same size as the equivalent timber size. For spans over 4.8m (15'9") please use the load tables on page 12. When using Agripurlin™ with asbestos or fibre cement sheeting please contact our Technical Department.

Grant Acceptance:

Agripurlin™ is a steel purlin which is Grant Accepted for use in animal houses in Ireland by the Department of Agriculture.

Farm Building:

Agripurlin™ is suitable for use on all farm buildings: Animal houses, Haybarns, Machinery sheds etc.

Distribution:

Agripurlin™ is available through your local farm building manufacturer. Should you have any trouble locating your nearest supplier please contact one of our offices.

Accessories:

EU Profiles Ltd. provides a full range of cleats and accessories to complement the Agripurlin™ range.

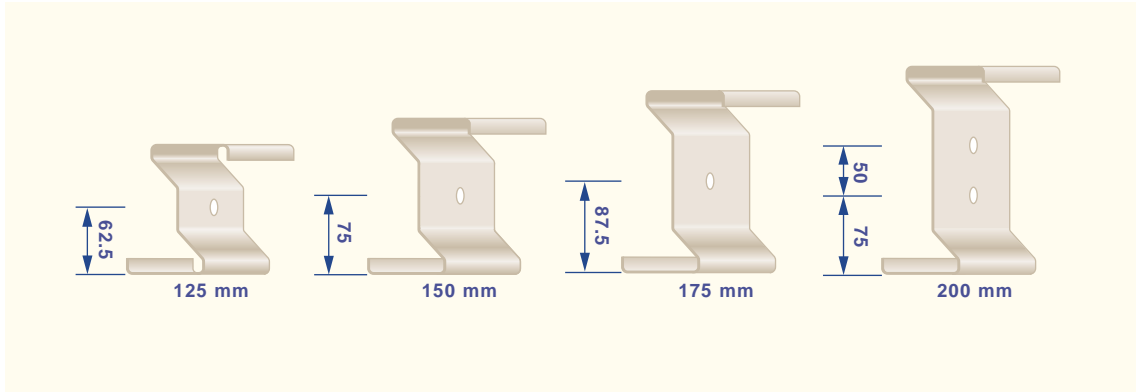
Guaranteed Irish:

Agripurlin™ is guaranteed Irish product.

Guaranteed Long Life:

Agripurlin™ is guaranteed for 15 years

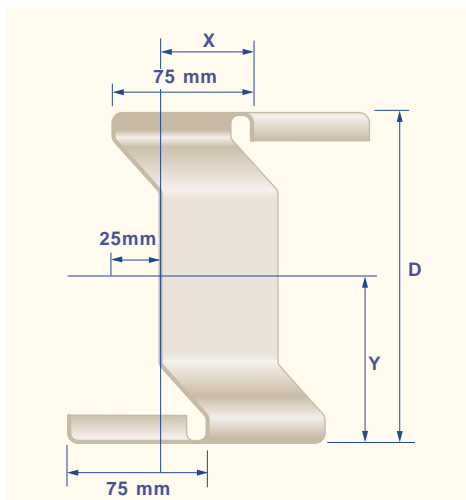




Agripurlin™ section properties

Section Type	Depth D	Thickness	Top & Bottom Flanges	Lips	Area	Weight per m.	Ixx	Zxx	Iyy	Zyy	Ryy	x	y
	mm	mm	mm	mm	Cm ²	Kg	Cm ⁴	Cm ³	Cm ⁴	Cm ³	Cm	Cm	Cm
125/12	125	1.2	75	15	3.606	2.925	93.35	14.936	21.385	4.326	2.435	4.943	5.87
125/15	125	1.5	75	15	4.517	3.638	116.26	18.601	26.459	5.368	2.420	4.929	6.09
150/12	150	1.2	75	15	3.896	3.160	141.62	18.883	21.385	4.326	2.343	4.943	7.08
150/15	150	1.5	75	15	4.882	3.932	176.54	23.539	26.459	5.368	2.328	4.929	7.33
175/12	175	1.2	75	15	4.186	3.395	202.07	23.094	21.384	4.326	2.260	4.943	8.30
175/15	175	1.5	75	15	5.247	4.226	252.09	28.810	26.459	5.369	2.246	4.929	8.56
200/15	200	1.5	75	15	5.612	4.520	344.03	34.403	26.459	5.369	2.171	4.928	9.80

Figures and Comments given in this brochure are given for guidance purposes only. While care has been taken to ensure accuracy EU Profiles Ltd. and its related companies do not accept liability for errors / or omissions. Customers should satisfy themselves of the suitability of the products supplied or manufactured by EU Profiles Ltd. for the use intended



**GRANT
ACCEPTED**



Allowable Loads for Single Span System

				Applied Load in kN/m ² Deflection Limitation = L / 180								
				Centres of Purlins in Metres								
Span (m)	Section Type	Load Type	Load N	0.75	0.90	1.05	1.20	1.35	1.50	1.65	1.80	2.00
4.8	125/12	Dead + Super	3236	0.90	0.75	0.64	0.56	0.50	0.45	0.41	0.37	0.34
		Wind Uplift	2829	0.79	0.65	0.56	0.49	0.44	0.39	0.36	0.33	0.29
	125/15	Dead + Super	4160	1.16	0.96	0.83	0.72	0.64	0.58	0.53	0.48	0.43
		Wind Uplift	3629	1.01	0.84	0.72	0.63	0.56	0.50	0.46	0.42	0.38
4.8	150/12	Dead + Super	4998	1.39	1.16	0.99	0.87	0.77	0.69	0.63	0.58	0.52
		Wind Uplift	4257	1.18	0.99	0.84	0.74	0.66	0.59	0.54	0.49	0.44
	150/15	Dead + Super	6418	1.78	1.49	1.27	1.11	0.99	0.89	0.81	0.74	0.67
		Wind Uplift	5459	1.52	1.26	1.08	0.95	0.84	0.76	0.69	0.63	0.57
4.8	175/12	Dead + Super	7210	2.00	1.67	1.43	1.25	1.11	1.00	0.91	0.83	0.75
		Wind Uplift	6047	1.68	1.40	1.20	1.05	0.93	0.84	0.76	0.70	0.63
	175/15	Dead + Super	9252	2.57	2.14	1.84	1.61	1.43	1.28	1.17	1.07	0.98
		Wind Uplift	7751	2.15	1.79	1.54	1.35	1.20	1.08	0.98	0.90	0.81
4.8	200/15	Dead + Super	12706	3.53	2.94	2.52	2.21	1.96	1.76	1.60	1.47	1.32
		Wind Uplift	10538	2.93	2.44	2.09	1.83	1.63	1.46	1.33	1.22	1.10

Note: Intermediate values within the limits of the table may be obtained by linear interpolation.

				Applied Load in kN/m ² Deflection Limitation = L / 180								
				Centres of Purlins in Metres								
Span (m)	Section Type	Load Type	Load N	0.75	0.90	1.05	1.20	1.35	1.50	1.65	1.80	2.00
6.1	125/12	Dead + Super	1917	0.42	0.35	0.30	0.26	0.23	0.21	0.19	0.17	0.16
		Wind Uplift	1839	0.40	0.33	0.29	0.25	0.22	0.20	0.18	0.17	0.15
	125/15	Dead + Super	2467	0.54	0.45	0.39	0.34	0.30	0.27	0.25	0.22	0.20
		Wind Uplift	2356	0.51	0.43	0.37	0.32	0.29	0.26	0.23	0.21	0.19
6.1	150/12	Dead + Super	3001	0.66	0.55	0.47	0.41	0.36	0.33	0.30	0.27	0.25
		Wind Uplift	2730	0.60	0.50	0.43	0.37	0.33	0.30	0.27	0.25	0.22
	150/15	Dead + Super	3856	0.84	0.70	0.60	0.53	0.47	0.42	0.38	0.35	0.32
		Wind Uplift	3498	0.76	0.64	0.55	0.48	0.42	0.38	0.35	0.32	0.29
6.1	175/12	Dead + Super	4364	0.95	0.79	0.68	0.60	0.53	0.48	0.43	0.40	0.36
		Wind Uplift	3845	0.84	0.70	0.60	0.53	0.47	0.42	0.38	0.35	0.32
	175/15	Dead + Super	5802	1.22	1.02	0.87	0.77	0.68	0.61	0.56	0.51	0.46
		Wind Uplift	4926	1.08	0.90	0.77	0.67	0.60	0.54	0.49	0.45	0.40
6.1	200/15	Dead + Super	7732	1.69	1.41	1.21	1.06	0.94	0.85	0.77	0.70	0.63
		Wind Uplift	6660	1.46	1.21	1.04	0.91	0.81	0.73	0.66	0.61	0.55

Note: Intermediate values within the limits of the table may be obtained by linear interpolation.



Quality:

Corrigalv[®] is a premium quality product manufactured to **BS EN 10142G: 1991**. It is galvanised for unbeatable long life and is surface treated to prevent oxydisation when in storage.

Stock:

Corrigalv[®] is available in 0.55mm and in 0.70mm in stock lengths 6', 7', 8', 9', 10', 11', 12' or cut to length.

Manufacture:

Corrigalv[®] is manufactured by EU Profiles Ltd., a Duggan Steel Group company committed to total quality products. With management experience in serving the farming and business communities extending over forty years, EU Profiles is confident of its ability to serve your requirements no matter how specific they may be.

Distribution:

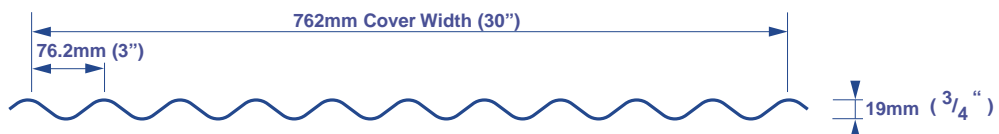
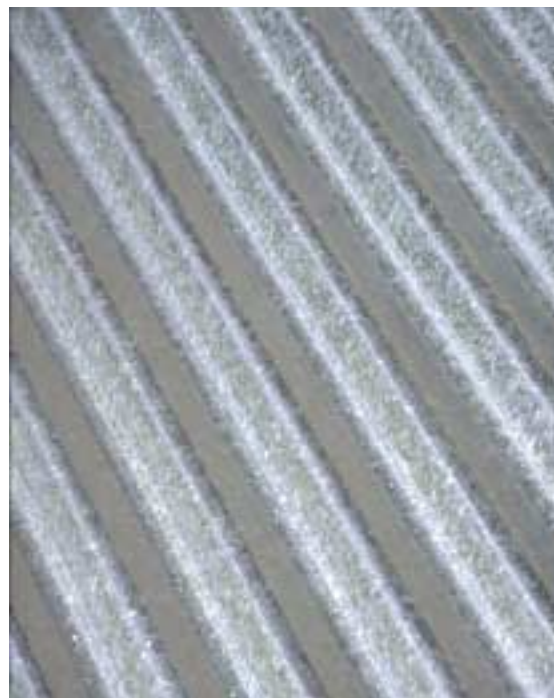
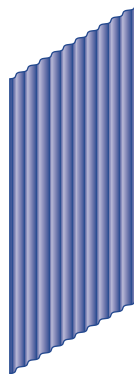
Corrigalv[®] is available countrywide through our long established customer base of approved merchants, stockholders, manufacturers and erectors. Should you have any trouble locating your nearest supplier please contact one of our offices.

Accessories:

EU Profiles provides a full range of complementary services and products for the sheeting range including cocktailing and curving facilities, gutters, trims, flashings, fittings and roof lights.

Guaranteed Irish:

Corrigalv[®] is a guaranteed Irish product.



Quality:

Procolor® is a premium quality product manufactured to **BS EN 10142 : 1991**, grade **FeP 02G** commercial quality. It consists of a steel substrate which is galvanized for unbeatable long life. The outer surface is treated, primed and coated with Slate Grey or Juniper Green polyester.

Internal Environment:

The inner surface is treated, primed and coated with a bright polyester finish. Procolor® has a light coloured undercoat which gives a bright, airy atmosphere particularly important for good working conditions.

Profile:

Procolor® is manufactured in a 32mm profile with a 200mm pitch in a 1000mm cover width, in box and reverse profiles. Procolor® is roll-formed with mini-ribs, unless otherwise requested.

Manufacture:

Procolor® is manufactured by EU Profiles Ltd., a Duggan Steel Group company committed to total quality products. With management experience in serving the farming and business communities extending over forty years, EU profiles is confident of its ability to serve your requirements no matter how specific they may be.

Stock:

Procolor® is available in 0.50mm thickness cut to length.

Distribution:

Procolor® is available countrywide through our long established customer base of approved merchants, stockholders, manufacturers and erectors. Should you have any trouble locating your nearest supplier please contact our offices or one of the Duggan Steel depots.

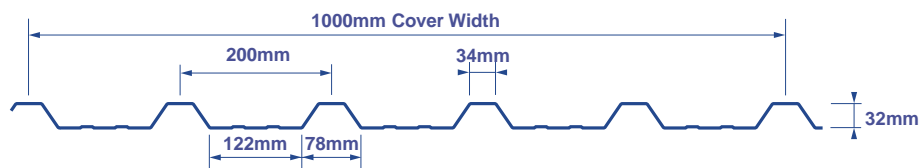
Accessories:

EU Profiles provides a full range of complementary services and products for the sheeting range including cocktailing and curving facilities, gutters, trims, flashings, fittings and roof lights.

Guaranteed Irish:

Procolor® is a guaranteed Irish product.

PROCOLOR 1000 / 32 PROFILE:



Reverse Coat

Quality:

Reverse coat is a commercial quality product. It consists of a galvanised steel substrate on the outer surface which is treated, primed and coated with light polyester.

Internal Environment:

The inner surface is coated with a white wash coat finish. Reverse coat has a light coloured underside which gives a bright, airy atmosphere particularly important for good working conditions.

Profile:

Reverse coat is manufactured in a 32mm profile with a 1000mm cover width, in box and reverse profiles. Reverse coat is roll-formed with mini-ribs, unless otherwise requested.

Manufacture:

Reverse Coat is manufactured by EU Profiles Ltd., a Duggan Steel Group company committed to total quality products. With management experience in serving the farming and business communities extending over forty years, EU profiles is confident of its ability to serve your requirements no matter how specific they may be.

Distribution:

Reverse is available countrywide through our long established customer base of approved merchants, stockholders, manufacturers and erectors. Should you have any trouble locating your nearest supplier please contact our offices or one of the Duggan Steel depots.

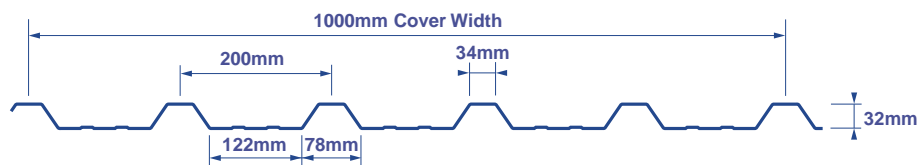
Accessories:

EU Profiles provides a full range of complementary services and products for the sheeting range including cocktailing and curving facilities, gutters, trims, flashings, fittings and roof lights.

Guaranteed Irish:

Reverse coat is a guaranteed Irish product.

REVERSE COAT 1000 / 32 PROFILE:



Quality:

EU Profiles 8/3 GALV is a premium quality product manufactured to **BS 2989: 1982**. and is surface treated to prevent oxydisation while in storage. 8/3 Galv is available in Z275 grammes per square metres in 0.50mm thickness.

Stock:

EU Profiles 8/3 GALV is available in stock lengths 6', 7', 8', 9', 10', 11', 12' or cut to length.

Manufacture:

8/3 GALV is manufactured by EU Profiles Ltd., a Duggan Steel Group company committed to total quality products. With management experience in serving the farming and business communities extending over forty years, EU profiles is confident of its ability to serve your requirements no matter how specific they may be.

Distribution:

EU Profiles 8/3 GALV is available countrywide through our long established customer base of approved merchants, stockholders, manufacturers and erectors. Should you have any trouble locating your nearest supplier please contact one of our offices.

Economy:

EU Profiles 8/3 GALV is the most economical form of galvanised roof cover available in Ireland today. It is suitable for general purpose use.

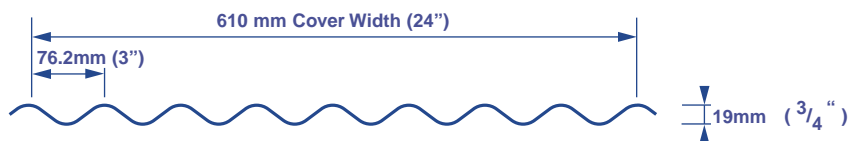
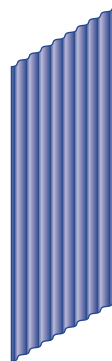
For specialised uses such as animal housing and /or grant aided farm building may we recommend our grant approved range of sheeting.

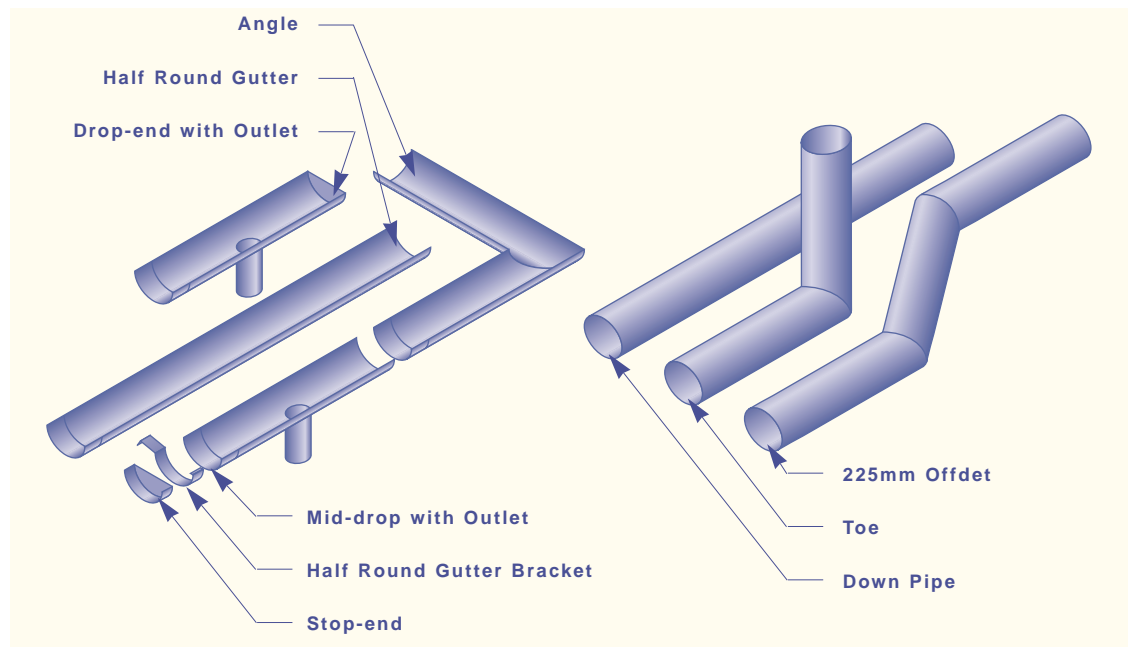
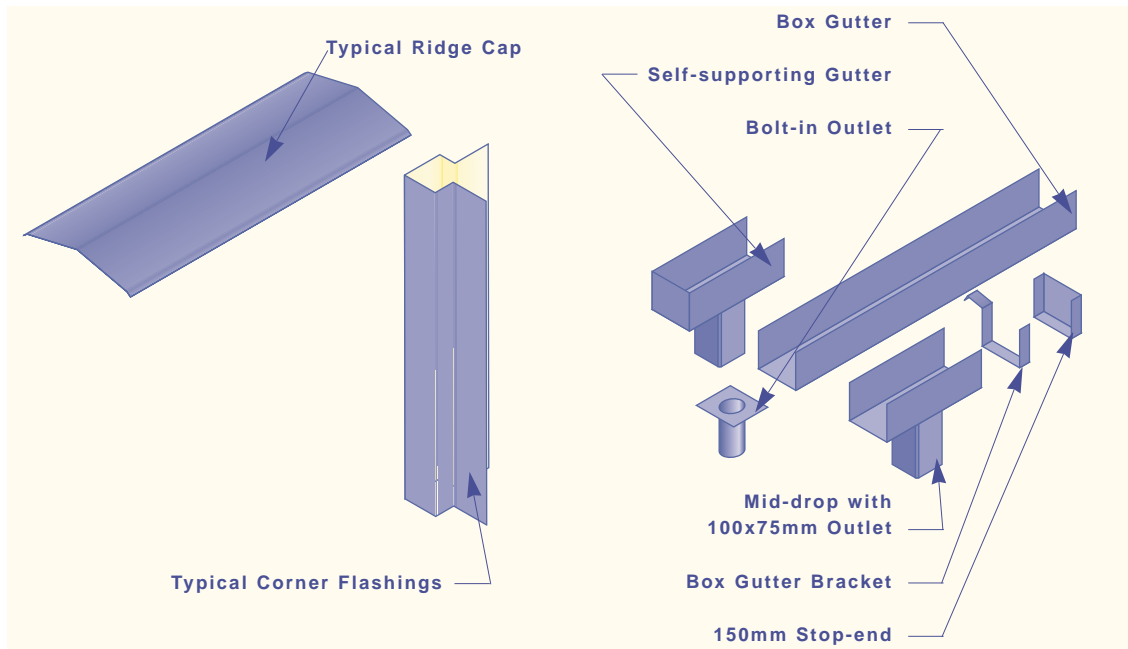
Accessories:

EU Profiles provides a full range of complementary services and products for the sheeting range including cocktailing and curving facilities, gutters, trims, flashings, fittings and roof lights.

Guaranteed Irish:

8/3 Galv is a guaranteed Irish product.





Half Round Gutters and Down Pipes are available in 1.83 (6) Lengths in 75mm (3") and 100mm (4") diametres





EU PROFILES LTD.
Steel Sheet Profiles

15 Year Guarantee Certificate

AGRIPURUM™

AGRILIGHT™

PRO AIR™

PRO FARM®

CORRI FARM®



Please contact our office to obtain a copy of the Certificate of Guarantee.



EU PROFILES LTD.

Dublin Road,
Kilkenny, Ireland.

Tel.: +353 56 22485

Fax: +353 56 63411